



PHOENIX

SPECIFICATIONS

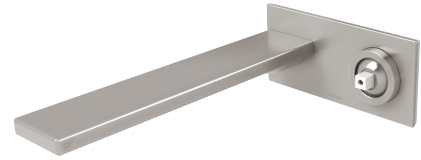
ZIMI

WALL BASIN / BATH MIXER SET 200MM (NO HANDLE)

PRODUCT CODE: 116-7813-40
 FINISH: BRUSHED NICKEL
 WELS: 5 STAR - 5.5 LT/MIN

INFORMATION:

TEMPERATURE RATING: MIN 1° - MAX 75°
 PRESSURE RATING: MIN 150 kPa - MAX 500 kPa

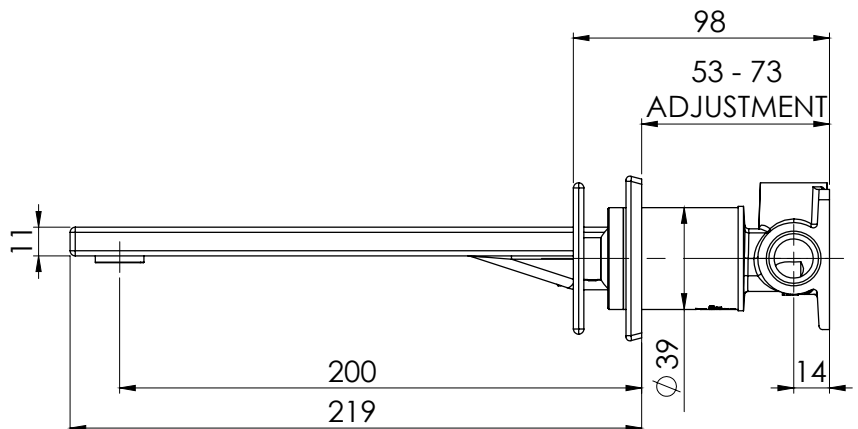
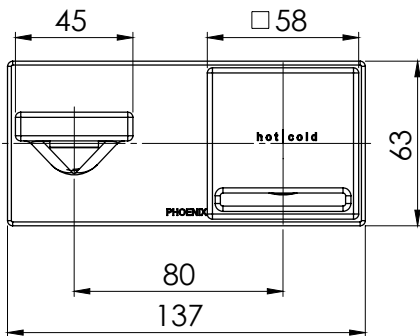


AVAILABLE IN:



CHROME BRUSHED NICKEL MATTE BLACK

FOR MORE INFORMATION VISIT
www.phoenixtapware.com.au



PLEASE [CLICK HERE TO VIEW FULL WARRANTY](#)

While we aim to ensure the specifications shown are correct at time of printing, Phoenix Tapware reserves the right to make modifications without prior notice. Always use the physical product measurements for mark-ups and roughing-in as the line drawing shown may differ from the actual product over time. All measurements are shown in millimetres. Some colours may vary across product types due to differing construction materials. Printed images are a representation only and the colour or finish may vary from the actual product.
A Registered Design and Trademark of Phoenix Industries Pty. Ltd

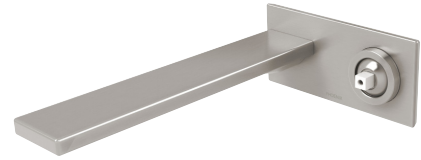
www.phoenixtapware.com.au
03 9780 4200



ZIMI

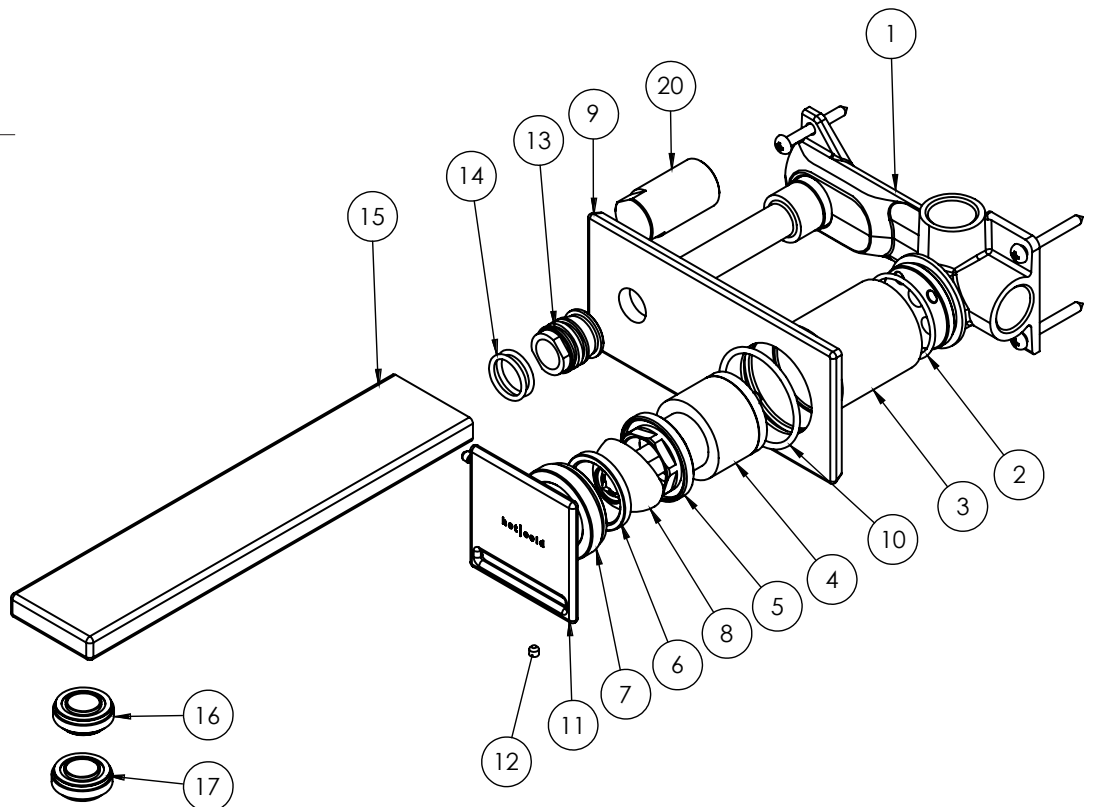
WALL BASIN / BATH MIXER SET 200MM (NO HANDLE)

PRODUCT CODE: 116-7813-40
 FINISH: BRUSHED NICKEL
 WELS: 5 STAR - 5.5 LT/MIN



PARTS LIST

1. WALL MIXER SET BREACH
2. O-RING
3. SLEEVE
4. 35MM CARTRIDGE
5. LOCKNUT
6. RETAINER WASHER
7. DOME RETAINER
8. MIXER DOME
9. DRESS PLATE
10. O-RING
11. HANDLE (NOT INCLUDED)
12. GRUB SCREW M4X4
13. SPOUT ADAPTOR
14. O-RING 16X2.0
15. SPOUT
16. AERATOR
17. MAX FLOW AERATOR



MAINTENANCE AND CARE:

- All surfaces should be cleaned with mild liquid detergent or soap and water.
- Do not use cream cleaners or citrus based cleaning products, as they are abrasive.
- Use of unsuitable cleaning agents may damage the surface. Any damage caused in this way will not be covered by warranty.

PACKAGING INCLUDES

- 1 x Wall basin / bath mixer set (no handle)
- 1 x Installation kit
- 1 x Installation instructions
- 1 x Warranty card

PLEASE [CLICK HERE TO VIEW FULL WARRANTY](#)

While we aim to ensure the specifications shown are correct at time of printing, Phoenix Tapware reserves the right to make modifications without prior notice. Always use the physical product measurements for mark-ups and roughing-in as the line drawing shown may differ from the actual product over time. All measurements are shown in millimetres. Some colours may vary across product types due to differing construction materials. Printed images are a representation only and the colour or finish may vary from the actual product.

A Registered Design and Trademark of Phoenix Industries Pty. Ltd

V220319

www.phoenixtapware.com.au
 03 9780 4200